

# INSTALLATION INSTRUCTIONS

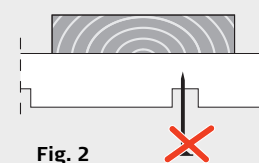
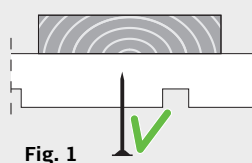
for Troldekt® rhomb/rhomb hatch, installed with screws

These instructions apply to the installation of Troldekt® rhomb/rhomb hatch with screws on wood battens or steel profile system. If you install Troldekt® on wood battens, the battens should be min. 22 x 120 mm. If you are installing the panels on steel profiles, use two parallel installation profiles per 600 mm. You can download installation instructions for wood battens and steel profile systems from [www.troldekt.com](http://www.troldekt.com)

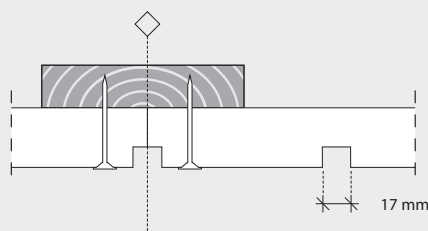
## INSTALLATION (PLEASE READ THE FULL INSTRUCTIONS BEFORE STARTING WORK)

Fix the panels using Troldekt screws spaced 25/20 mm from the edges – as shown in the illustrations below: 25 mm for wood battens, 20 mm for C60 steel profiles. Be careful not to overdrive the screws and so cause an indentation in the panel.

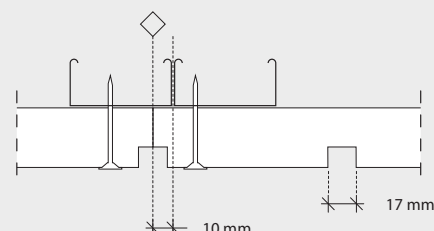
The screws should be screwed into the main surface of the panel (**Fig. 1**) – not into the bottom of the grooves (**Fig. 2**).



## PROFILE DRAWING



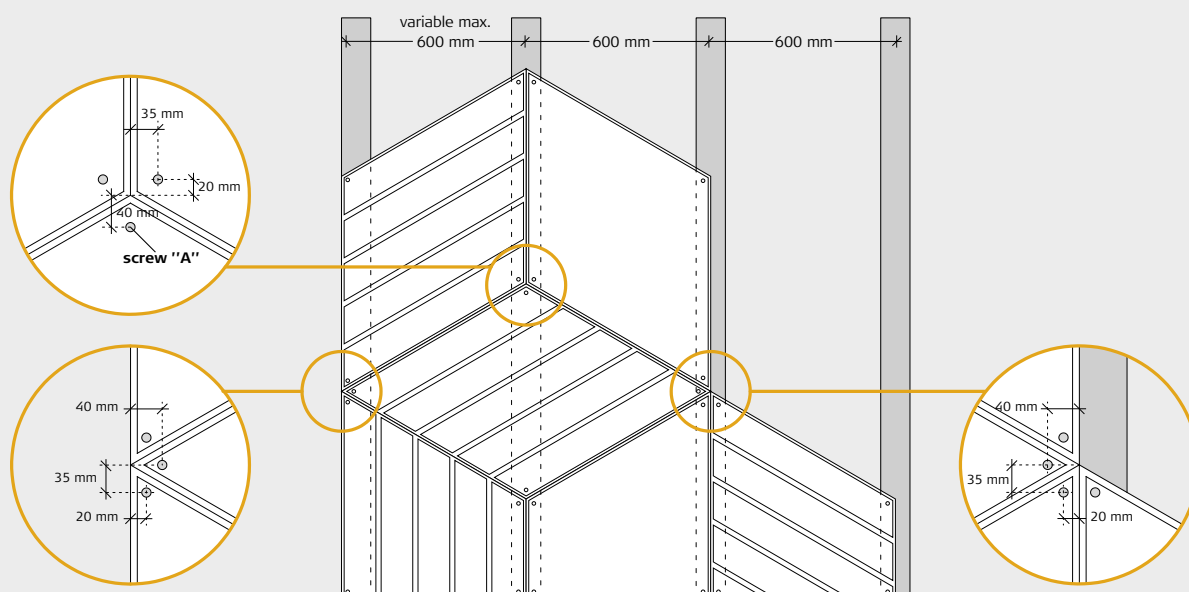
Installation on 120 mm wood battens



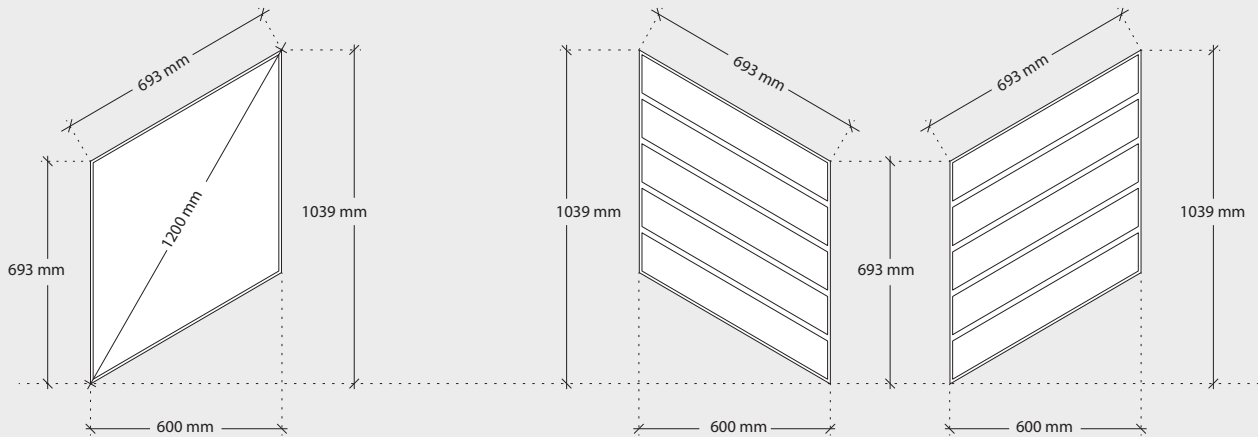
Installation on C60 steel profiles

Use two profiles per 600 mm. Stagger the profiles 10 mm in relation to the panel joints, so that the centre-placed screw 'A' is not screwed into the gap between the C60 profiles (see illustration below).

## ILLUSTRATION - INSTALLATION



**PANEL TYPES**



**Troldtekt® rhomb**

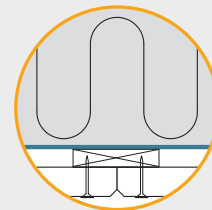
**Troldtekt® rhomb hatch left**

**Troldtekt® rhomb hatch right**

**VAPOUR BARRIER**

If you need to install a vapour barrier, we recommend using polyethylene plastic sheeting. The vapour barrier must be placed above the wood battens, i.e. between the battens and the foot of the rafters. Install the vapour barrier so it is well-stretched and sits tightly against the insulation.

Please refer to the manufacturer's instructions.



**TROLDTEKT® SCREWS**

Panel thickness (mm)	Panel length (mm)	Screw dimension (mm)	No. of screws (per panel)	Max. span (mm)
35	1039	4.2 x 45 / 4.2 x 55 / 4.2 x 50	4	600

Troldtekt structure screw for wood and steel, PH2

4.2x45 mm / 4.2x55 mm



Troldtekt structure screw for steel, PH2

4.2x50 mm

